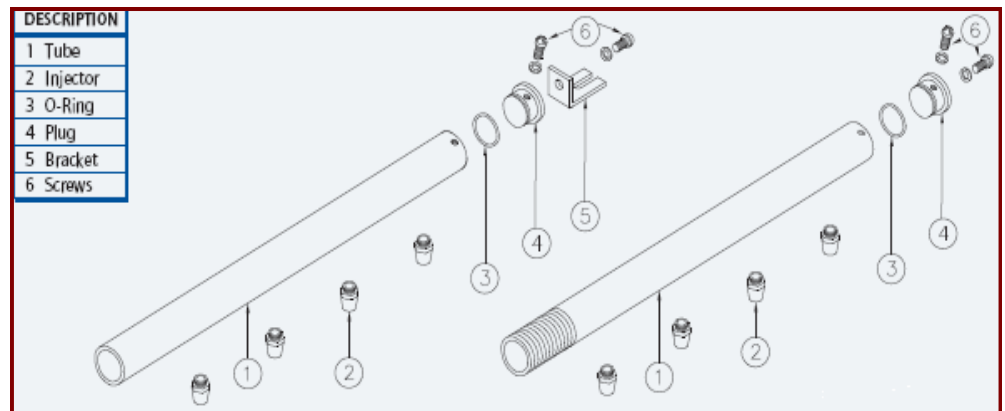
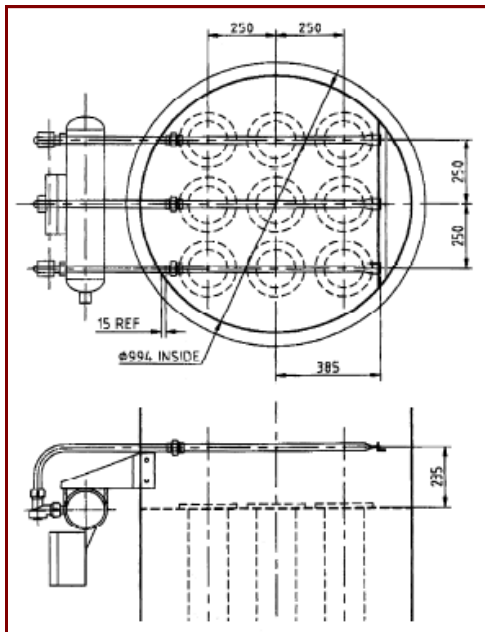


The single source solution for all your dust filter and fluid control requirements

Blow Tubes and Bulkhead Connectors

Precision Blow Tubes

Blow tubes are designed to obtain maximum satisfactory cleaning performance in a Reverse Jet Pulse Dust Filters. However the importance of the design of the Blow Tubes is often overlooked causing miss-use of valuable compressed air and adversely affecting the performance of the Pulse Jet cleaning system



Bulkhead Connectors

The "P" series Bulkhead Connectors are an ideal solution for the connection of the Blow Tubes to the Pulse valves at the same time as sealing the wall of the Bag Filter. By using this compression type couplings you save time and money and avoid the need for welding or screw cutting.

Manufactured in die-cast aluminium in 4 sizes — ¾", 1", 1½" and now new to the range in 2" .

Available in single ended - for one-piece Blow Tubes or in double ended model for a two-piece Blow Tube.

